

Rittal – Modular Power Concept PMC



Uninterruptible power supply 1 – 12 kVA.
We have the power.

UPS, single-phase, output range 1 – 12 kVA N + 1 redundant



The UPS is distinguished by the use of double-conversion technology.

Double-conversion technology provides the basis for an optimum supply voltage to all connected loads. This means that the Rittal PMC 12 UPS is ideally suited to all applications in the IT environment, as well as for all other requirements such as medical technology, automation technology, plant control etc. A scalable autonomy of up to 2 h at 100 % load ensures a broad spectrum of applications.

Rittal Power Modular Concept PMC 12

- Double conversion technology VFI-SS 111
- For use as a rack or floor-standing enclosure with 90° rotating LCD display
- 2 U high
- Serial/USB interface and Emergency Power Off (EPO) contact
- Batteries “hot swap” compatible, may be exchanged from the front
- Integral batteries with 1 – 3 kVA
- External batteries with 4.5 kVA and 6 kVA
- Parallel switching 4.5 kVA and 6 kVA UPS up to 12 kVA N+1 redundant
- Optional SNMP card

DK 7857.430, DK 7857.431, DK 7857.432

Supply includes:

Single-phase UPS systems in double-conversion technology (VFI-SS 111) with internal “hot swap” compatible batteries, USB and serial interface.

DK 7857.433, DK 7857.434

Supply includes:

Single-phase UPS systems in double-conversion technology (VFI-SS 111), USB and serial interface.

Available on request:

Replacement battery packs and AS 400 interface adaptor.



Also required:

Country-specific connection cables and slide rails are required to operate the UPS systems.

For DK 7857.433, DK 7857.434

Parallel hot swap chassis (DK 7857.443 or DK 7857.444). External 3 U battery pack (DK 7857.442).

UPS for 482.6 mm (19") racks or as floor-standing enclosures		UPS with integral battery			UPS control unit	
Model No. DK		7857.430	7857.431	7857.432	7857.433	7857.434
Power	VA	1000	2000	3000	4500	6000
	Watts	700	1400	2100	3150	4200
	Max. heat loss (W)	105	210	252	315	420
Input	Rated voltage	230 V (160 – 288 V)				
	Frequency	50/60 Hz ±5 %				
	Power factor	> 0.99 with linear load				
Output	Voltage	230 V ≤ ±1 % (200/208/220/230/240 V adjustable)				
	Frequency, synchronised	± 1 Hz				
	Frequency, asynchronous	±0.1 %	±0.1 %	±0.1 %	±0.2 %	±0.2 %
	Crest factor	3 : 1				
	Non-linear distortion	≤ 7 %	≤ 7 %	≤ 7 %	≤ 6 %	≤ 6 %
	Wave shape	≤ 3 %				
	Operating ratio, AC mode	85 %	85 %	88 %	90 %	90 %
	Operating ratio, battery mode	83 %	83 %	85 %	87 %	87 %
Power factor	0,7					
Battery		5 years EUROBAT	5 years EUROBAT	5 years EUROBAT	5 years EUROBAT	5 years EUROBAT
	Autonomy at 100 % load	≥ 7 min	≥ 7 min	≥ 5 min	≥ 12 min	≥ 8 min
Overload	105 %	continuous				
	120 %	30 sec	30 sec	30 sec	160 sec	160 sec
	150 %	10 sec	10 sec	10 sec	160 sec	160 sec
Communication	Interface	1 x USB, 1 x RS232				
	SNMP	Optional SNMP card DK 7857.420				
	Operating systems supported	Windows, Unix, Linux, OS/2, Novell, Apple; RCCMD shutdown licence DK 7857.421				
	Emergency Power Off (EPO)	■				
Mechanics	Width mm	440				
	Height mm	88				
	Depth mm	405	650	650	660	660
	Weight kg	15.7	29.4	29.7	24	24
	Input connection 230 V	10 A C14			10 A C20	Compact connector
Output connection 230 V	6 x 10 A, C13, 2 units switched			4 x 10 A, C13, 2 units switched 1 x 16 A, C19	Compact connector	Compact connector
Operating environment	Humidity	0 – 90 %, non-condensing				
	Noise level	50 db (A)				
	Safety	IEC/EN 62 040-1, EN 60 950-1				
Standards and certifications	Power	IEC/EN 62 040-3				
	EMC	EN 50 091-2/EN 62 040-2 class A, EN 61 000-4-2/-3/-4/-6-8/-11, EN 61 000-3-2/-3				
	Labelling	CE, FCC, cUL				

UPS, single-phase, output range 1 – 12 kVA N + 1 redundant

UPS for 482.6 mm (19") racks or as floor-standing enclosures		UPS with integral battery			UPS control unit	
Model No. DK		7857.430	7857.431	7857.432	7857.433	7857.434
Power	VA	1000	2000	3000	4500	6000
	Watts	700	1400	2100	3150	4200
	Max. heat loss (W)	105	210	252	315	420
Accessories						
External bypass ¹⁾		7857.439	7857.440	7857.441	–	–
Battery pack ²⁾		7857.435	7857.436	7857.437	7857.442	7857.442
Parallel hot swap chassis for 2 UPS systems ³⁾		–	–	–	7857.443	7857.443
Parallel hot swap chassis for 3 UPS systems ³⁾		–	–	–	7857.444	7857.444
PDM for PMC 12 ⁴⁾		–	–	–	–	7857.445
SNMP card		7857.420	7857.420	7857.420	7857.420	7857.420
RCCMD shutdown licence		7857.421	7857.421	7857.421	7857.421	7857.421
Connection cable, UPS, single-phase		7856.027	7856.027	–	–	–
Connection cable, UPS, single-phase, C20		–	–	7856.030	–	–
Slide rail, depth-variable		7063.883	7063.883	7063.883	7063.883	7063.883

1) External bypass:

The external bypass allows the UPS to be swapped with the system operational.

2) Autonomy (min.) at 100 % load:

UPS type	In supplied state	Battery packs		
		1	2	3
1 kVA	7 min	1:09 h	02:13:00 h	–
2 kVA	7 min	34 min	1:09 h	–
3 kVA	5 min	30 min	01:02:00 h	–
4.5 kVA	–	12 min	31 min	54 min
6 kVA	–	8 min	20 min	36 min

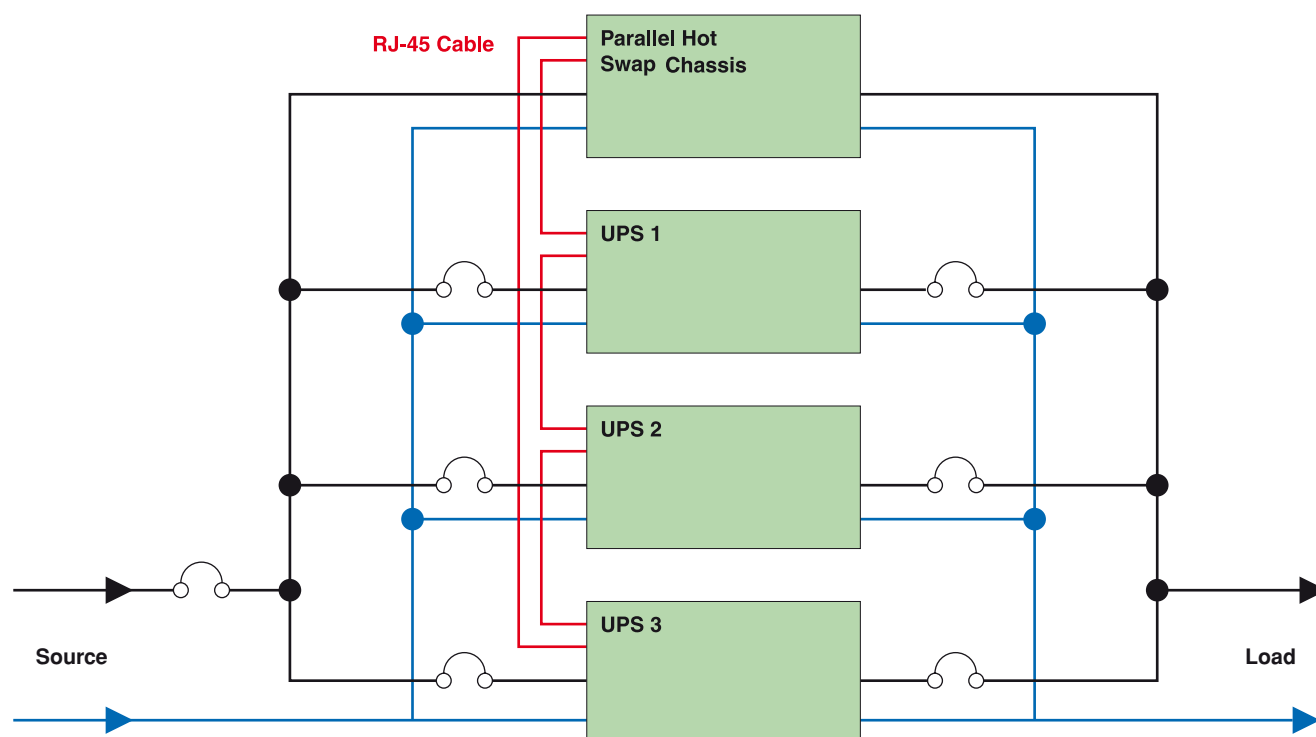
3) Parallel Hot Swap Chassis:

The parallel hot swap chassis for the 4.5 kVA and 6 kVA module allows up to 3 UPS systems to be connected together. This can be used to boost output and to achieve N+1 redundancy. An external bypass is additionally integrated into the Parallel Hot Swap Chassis.

4) PDM for PMC 12:

Single-phase power distribution for use with the Parallel Hot Swap Chassis DK 7857.444. The PDM offers the opportunity of connecting two single-phase 32 A CEE connectors and four EN 60 320 C19 16 A connectors. All outputs have pre-fuses.

Block diagram parallel redundant UPS DK 7857.433/.434



All in all – solutions from Rittal



Industrial enclosures



Power Distribution



Electronic packaging



System Climate Control



IT Solutions

Network enclosures · Server racks · KVM technology
Telco racks · Office solutions · Distributor racks
Wall-mounted enclosures · RimatriX5 · Power management
concepts · IT cooling · Monitoring · Security · Services · Kiosks



Communication Systems

Rittal has one of the largest ranges of enclosures available for immediate delivery. However, Rittal also supplies integrated solutions – up to Level 4. This comprises mechanical installation, power supply, electronic components, climate control and central monitoring. For all of your requirements.

Fully assembled and functional. Wherever in the world you develop and implement solutions for yourself and your customers, we are close at hand. The global alliance between production, distribution and service guarantees closeness to the customer. Worldwide!

06/07 · E575

Rittal AS · Postboks 258 · N-1401 Ski · Telefon +47 64 85 13 00 · Telefax +47 64 85 13 01
Besøksadresse: Regnbueveien 10 · N-1405 Langhus
E-post: rittal@rittal.no · www.rittal.no



Switch to perfection **RITTAL**